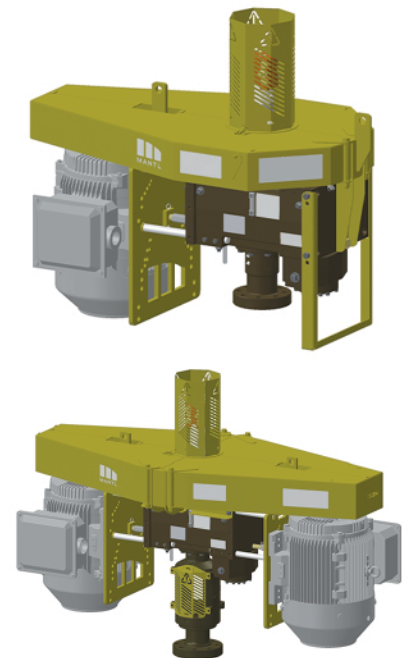




# MB-HB-100/200D-15T/19T

	MB-HB-100-15T/19T	MB-HB-200D-15T/19T
<b>RATING</b>		
Power rating, kW ( HP )	75 ( 100 )	Dual - 150 ( 200 )
Maximum Polished Rod Speed (RPM)	500	
Thrust Bearing rating, ISO kN ( lbf )	15T - 1,060 ( 245,042 ) or 19T - 1,380 ( 310,236 )	
Thrust Bearing rating, Ca90 kN ( lbf )	15T - 275 ( 61,780 ) or 19T - 378 ( 80,430 )	
Thrust Bearing 25,000hr @ 500 RPM, L10 kN ( lbf )	15T - 145 ( 32,704 ) or 19T - 189 ( 42,577 )	
Maximum input torque, Nm ( ft-lbs )	2,847 ( 2,100 )	
Maximum brake torque, Nm ( ft-lbs )	3,857 ( 2,845 )	
<b>STRUCTURAL</b>		
Belt guard	Fully enclosed hinged	
Polished rod size, mm ( in )	31.8 or 38.1 ( 1 1/4 or 1 1/2 )	
Wellhead connection	3 1/8" 3,000 psi R-31 Flange	
	4 1/16" 2,000/3,000 psi R-37 Flange	
	5 1/8" 2,000/3,000 psi R-41 Flange	
Drivehead Shaft mm ( in )	88.9 ( 3 1/2 ) shaft diameter	
Maximum Driven Sheave in	31.5 x 5V x 7	31.5 x 5V x 10
Overall-L-W-H mm ( in )	1483-858-1224 ( 59-34-49 )	2164-927-1672 ( 86-37-66 )
Drivehead Weight kg ( lbs )	590 / 1,300	748 ( 1650 )
<b>BRAKING SYSTEM</b>		
Recoil control system	Hydraulic Pump	
<b>OPTIONAL EQUIPMENT</b>		
Environmental Seal Integral		
Environmental Seal Booth ( open )		
Rope Packing Seal		
Anti-Ejection Clamp		
Tachometer		
<b>MAINTENANCE</b>		
Gear Oil - 75W90 SYN -40/+35C or 85W140 SYN >+36C - 32 liters	Frequency 6 - 12 months	



'CAUSE WE GIVE A S#!T